

SonicAire Mounting Options

USM

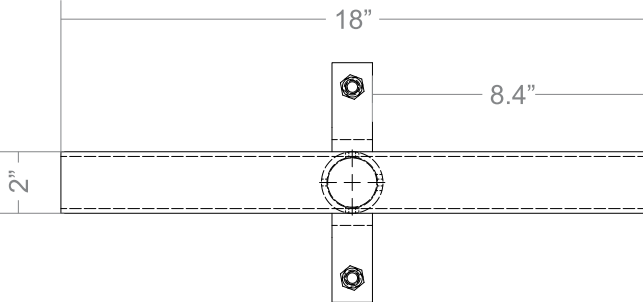
Universal Short Mount

The USM provides mounting from inclined roof trusses and metal building support beams much like the UBM. However, instead of a support tube the UBM hub attaches directly to the fan axle. This allows for maximum elevation when mounting your SonicAire fan.

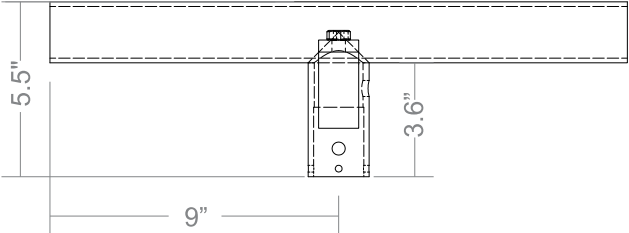


Approx. Weight: 12 lbs
(in addition to fan assembly)

Dimensions



P L A N



E L E V A T I O N

Fan Elevations

