

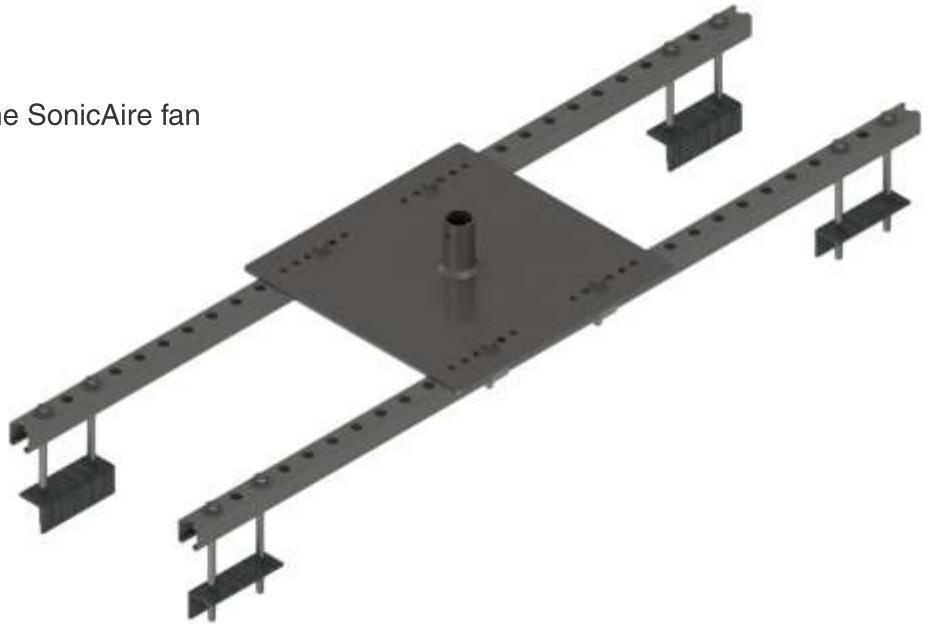
SonicAire Mounting Options

RMS

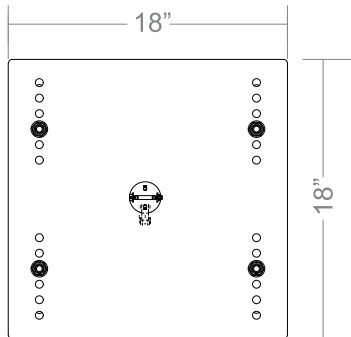
Rafter Mount Support

The RMS provides an option for mounting the SonicAire fan inverted above a set of rafters.

Approx. Weight: 50 lbs
(in addition to fan assembly)

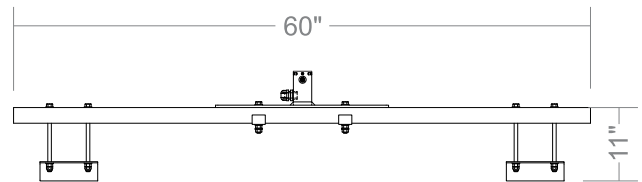


Dimensions



PLAN

**Plate Only*



ELEVATION

Fan Elevations

