

SonicAire Mounting Options

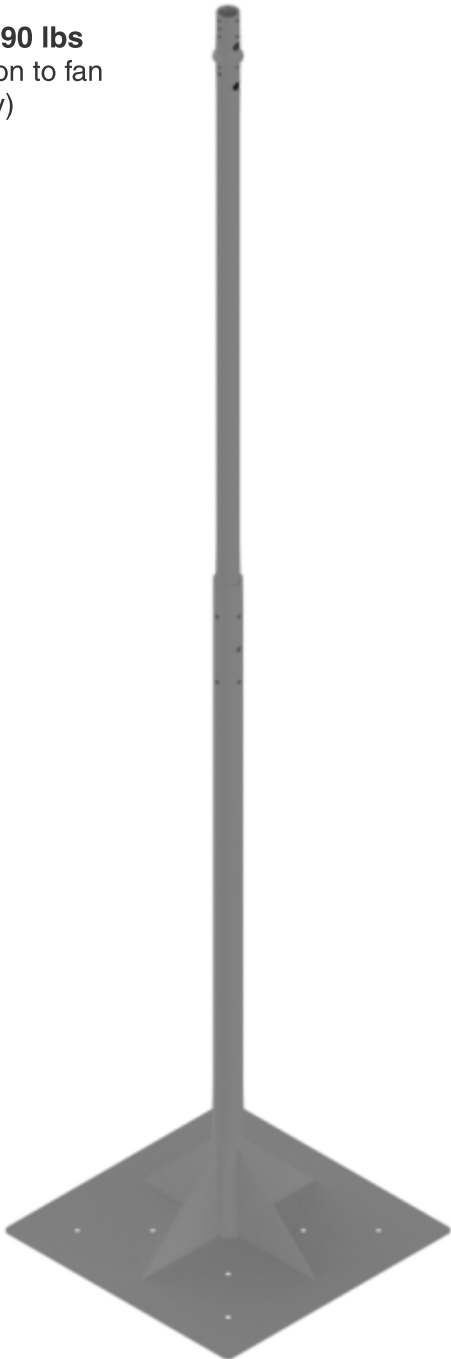
FMS

Floor Mount Support

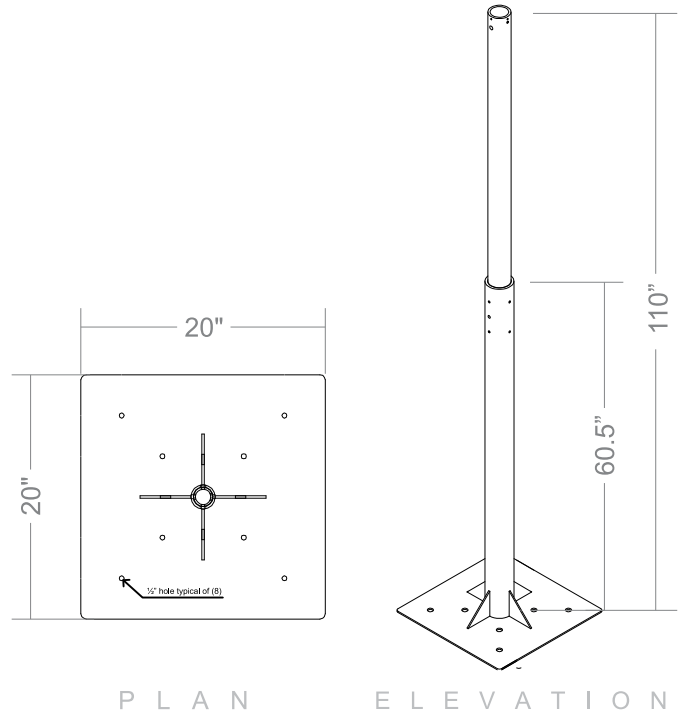
The FMS provides a stationary, inverted mounting option. With an adjustable inner tube, the FMS can be customized to fit the needs of your facility.

Note: SonicAire does not provide attachment hardware for the FMS. The necessary hardware is determined by the structure to which the FMS is secured.

Approx. Weight: 90 lbs
(in addition to fan assembly)



Dimensions



Fan Elevations

