

BPM

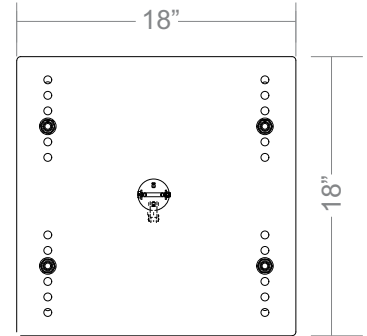
Base Plate Mount

With the BPM, you can mount the SonicAire upside down on top of a wood truss or beam, eliminating the need for lag bolts. The BPM can also be used as a hanging mount.

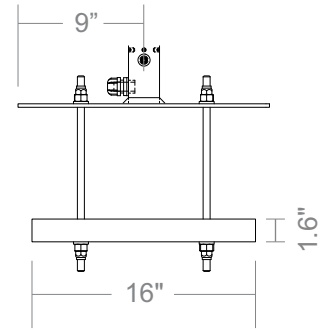
Approx. Weight: 31 lbs
(in addition to fan assembly)



Dimensions



P L A N



E L E V A T I O N

Fan Elevations

